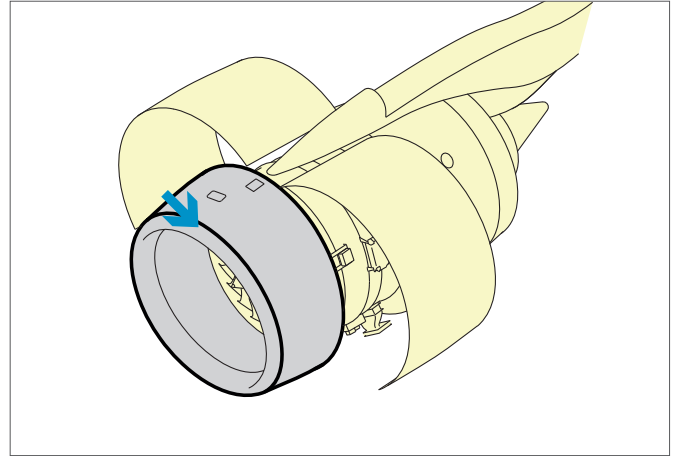


A380 Grazed during Towing Manoeuvre



On Friday, 7 September 2018, the Airbus A380 registered as 9H-MIP grazed a passenger bridge at Paris-Charles-de-Gaulle (CDG) Airport and was damaged slightly. The mishap occurred when the aircraft – with no passengers on board – was being towed to the departure gate. The gate's passenger bridge touched the air intake of the inner engine on the aircraft's left wing.

The flight to La Réunion that evening, which the lessee Hi Fly was to carry out on behalf of Air Austral, had to be cancelled. Another two trips to La Réunion will likely also not take place.

The damaged engine cover will be replaced promptly so that the aircraft will probably be back in operation as early as Wednesday, 12 September 2018. The lessee will have to pay the costs of the repair, but will be entitled to make a claim against the party responsible for the damage.

The aircraft, serial number 6, is owned by Doric Flugzeugfonds Vierte GmbH & Co. KG and is under lease to the charter airline Hi Fly for about six years. Hi Fly operates the aircraft on behalf of other airlines. Since the aircraft was handed over to Hi Fly on 2 July this year, it has already been in service for Thomas Cook Scandinavia, Norwegian and Air Austral.

Success through Experience

Doric GmbH
Berliner Strasse 114 - 116
63065 Offenbach, Germany
Tel. +49 69 247559 100
www.doric.com